



## FUNCTIONS

The **INA3.5102EA** is a portable battery powered large LED display used in industrial applications. This meter functions with an analog input and allows a distance viewing up to 50 m. This display is supplied with a resistant glass fiber polyester housing used for severe environments.

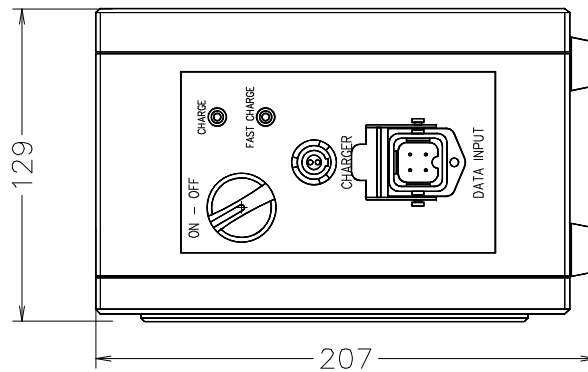
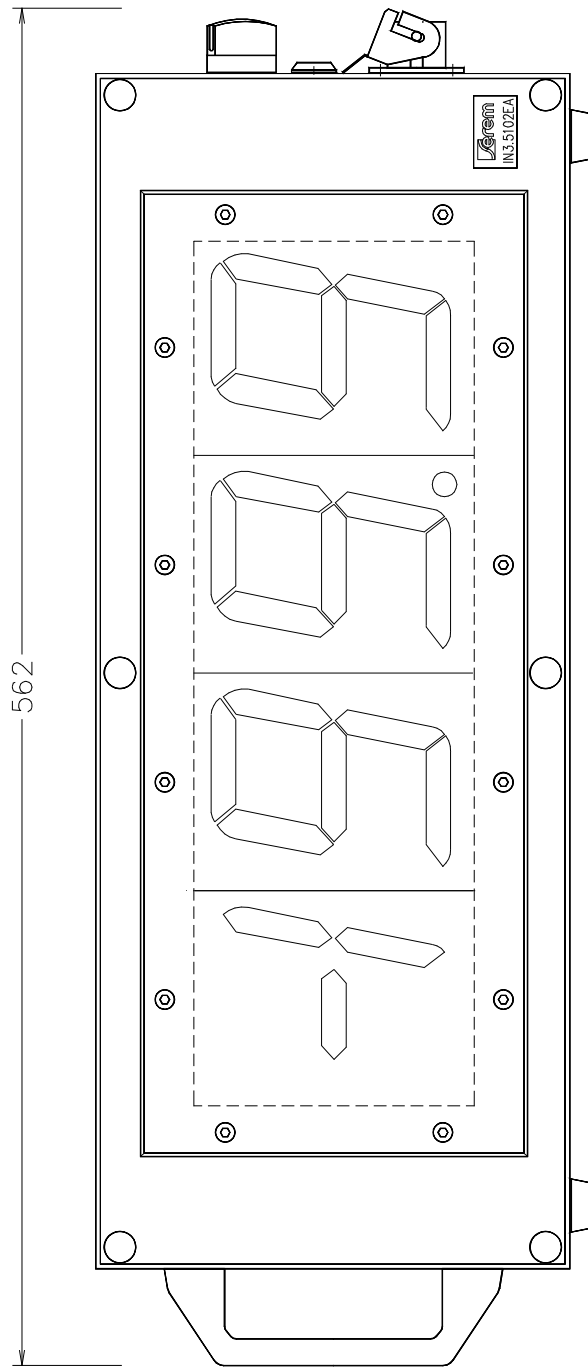
In aluminium industry this display is employed to control the up and down motion of the anode beam from the pot control cabinet, during pot start-up, without dangerous potentials for the operator.

## CHARACTERISTICS

<b>Input :</b>	Analog signal $\pm 199.9$ Vcc.
<b>Display :</b>	3.5 digit LED, 102 mm height with decimal and point minus symbol.
<b>Accuracy :</b>	> 0.1 % of FSD $\pm 1$ digit.
<b>Temperature coefficient :</b>	< 50 ppm / ° C.
<b>Input protection :</b>	$\pm 500$ Vcc or 350 Vca.
<b>Junction :</b>	
Power supply:	Push pull socket for battery charger
Analog input:	Industrial panel socket Han type
<b>Housing:</b>	Heavy duty light grey glass reinforced polyester box.
<b>Size :</b>	(W x H x D) 562 x 207 x 129 mm
<b>Weight :</b>	4,5 Kg
<b>Power supply :</b>	NiCd 12V / 1.8Ah Battery
<b>Operating time :</b>	4 hours.
<b>Accessories :</b>	Battery charger

*Special display meters can be designed by our development team*

# DIMENSIONS



CHARGER :  
 V+ : pin 2  
 GND : pin 1

DATA INPUT :  
 V+ : pin 3  
 GND : pin 1

